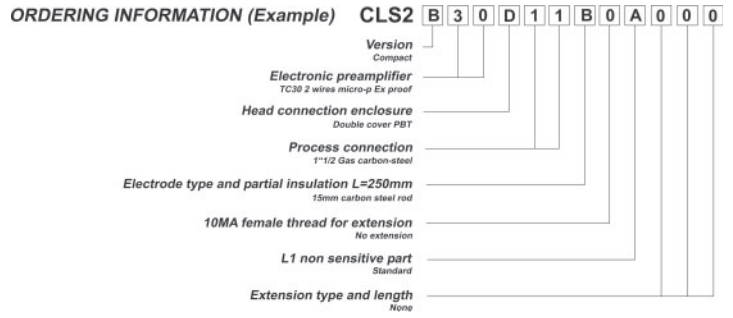
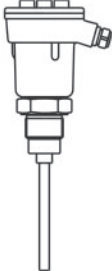
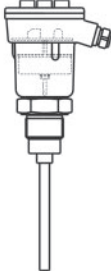

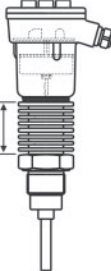



CLS2 Capacitance ON-OFF rod sensor

General purpose capacitance ON-OFF rod sensor, IP65+66 protection.



VERSION CLS2 <input type="checkbox"/> <input type="checkbox"/> <input type="checkbox"/> <input type="checkbox"/> <input type="checkbox"/> <input type="checkbox"/> <input type="checkbox"/> <input type="checkbox"/> <input type="checkbox"/> <input type="checkbox"/> <input type="checkbox"/> <input type="checkbox"/> <input type="checkbox"/> <input type="checkbox"/> <input type="checkbox"/> <input type="checkbox"/> <input type="checkbox"/> <input type="checkbox"/> <input type="checkbox"/> <input type="checkbox"/>				INSERT PREAMPLIFIER Code: CLS2 <input type="checkbox"/> <input type="checkbox"/> <input type="checkbox"/> <input type="checkbox"/> <input type="checkbox"/> <input type="checkbox"/> <input type="checkbox"/> <input type="checkbox"/> <input type="checkbox"/> <input type="checkbox"/> <input type="checkbox"/> <input type="checkbox"/> <input type="checkbox"/> <input type="checkbox"/> <input type="checkbox"/> <input type="checkbox"/> <input type="checkbox"/> <input type="checkbox"/> <input type="checkbox"/> <input type="checkbox"/>			
Without insert preamplifier A 	Compact Electrode + insert B 	Dust Zone 20/21 ATEX Cert. Comp. (TL41 insert only) E 	AISI316 s.s. Spacer-cooling-fins Compact F 	0 0 Insert = none 3 0 Insert = TC30 4 1 Insert = TL41 (preliminary)		3 3 Insert = TL31R 24 Vdc 3 4 Insert = TL31R 24 Vac 3 5 Insert = TL31R 115 Vac 3 6 Insert = TL31R 230 Vac	
HEAD CONNECTION Code: CLS2 <input type="checkbox"/> <input type="checkbox"/> <input type="checkbox"/> <input type="checkbox"/> <input type="checkbox"/> <input type="checkbox"/> <input type="checkbox"/> <input type="checkbox"/> <input type="checkbox"/> <input type="checkbox"/> <input type="checkbox"/> <input type="checkbox"/> <input type="checkbox"/> <input type="checkbox"/> <input type="checkbox"/> <input type="checkbox"/> <input type="checkbox"/> <input type="checkbox"/> <input type="checkbox"/> <input type="checkbox"/>				PC polycarbonated loaded B 142mm 122mm IP66 PG13,5 Double cover PBT D 132mm 132mm IP65 PG13,5 PC loaded + trasparent cap E 142mm 122mm IP66			

PROCESS CONNECTION Code: CLS2 <input type="checkbox"/> <input type="checkbox"/> <input type="checkbox"/> <input type="checkbox"/> <input type="checkbox"/> <input type="checkbox"/> <input type="checkbox"/> <input type="checkbox"/> <input type="checkbox"/> <input type="checkbox"/> <input type="checkbox"/> <input type="checkbox"/> <input type="checkbox"/> <input type="checkbox"/> <input type="checkbox"/> <input type="checkbox"/> <input type="checkbox"/> <input type="checkbox"/> <input type="checkbox"/> <input type="checkbox"/>	
THREADED	
SW 50 1"NPT G 1" 23 29 0 1 G 1" Carbon Steel 0 2 G 1" AISI316	SW 60 G 1 1/2" 20 23 40 1 1 G 1 1/2" Carbon Steel 1 2 G 1 1/2" AISI316

ELECTRODE TYPE AND INSULATION Code: CLS2 <input type="checkbox"/> <input type="checkbox"/> <input type="checkbox"/> <input type="checkbox"/> <input type="checkbox"/> <input type="checkbox"/> <input type="checkbox"/> <input type="checkbox"/> <input type="checkbox"/> <input type="checkbox"/> <input type="checkbox"/> <input type="checkbox"/> <input type="checkbox"/> <input type="checkbox"/> <input type="checkbox"/> <input type="checkbox"/> <input type="checkbox"/> <input type="checkbox"/> <input type="checkbox"/> <input type="checkbox"/>				0 0 Ø15mm carbon-steel rod PVC partially insulated D 0 Ø15mm carbon-steel rod PTFE partially insulated H 0 Ø15mm AISI316 s.s. rod PVC partially insulated L 0 Ø15mm AISI 316 rod PTFE partially insulated C 0 Ø15mm carbon-steel rod PVC extended insulation I 0 Ø15mm AISI316 s.s. rod PVC extended insulation	
B 1 Ø15mm carbon-steel rod PVC partially insulated + 10MA female thread for extension D 1 Ø15mm carbon-steel rod PTFE partially insulated + 10MA female thread for extension H 1 Ø15mm AISI316 s.s. rod PVC partially insulated + 10MA female thread for extension L 1 Ø15mm AISI316 s.s. rod PTFE partially insulated + 10MA female thread for extension C 1 Ø15mm carbon-steel rod PVC extended insulation + 10MA female thread for extension I 1 Ø15mm AISI316 s.s. rod PVC extended insulation + 10MA female thread for extension		