

# CLS4 Capacitance ON-OFF rod sensor

825B060F

Capacitance ON-OFF rod sensor, general purpose ON-OFF rod sensor for liquids, IP65 protection, top and lateral tank mounting.

**ORDERING INFORMATION ( Example ) CLS4** **B 7 3 B 2 1 H 4 6 A**

Version Compact

Electronic preamplifier TC7 3R Local calibration 24Vdc 31 Relay out for 3 adjustable set-point

IP65 Head connection enclosure PC polycarbonate loaded

Process connection Sanitary DN40 DIN 11851 AISI 304L

Electrode type and insulation PTFE totally insulated

L electrode length , price each 100mm PTFE totally insulated

L1 non sensitive part , material and price per each 100mm Standard

<b>VERSION</b> Code: CLS4 <input type="checkbox"/> <input type="checkbox"/> <input type="checkbox"/> <input type="checkbox"/> <input type="checkbox"/> <input type="checkbox"/> <input type="checkbox"/> <input type="checkbox"/> <input type="checkbox"/> <input type="checkbox"/> <input type="checkbox"/> <input type="checkbox"/> <input type="checkbox"/> <input type="checkbox"/> <input type="checkbox"/> <input type="checkbox"/>		<b>INSERT PREAMPLIFIER</b> Code: CLS4 <input type="checkbox"/> <input type="checkbox"/> <input type="checkbox"/> <input type="checkbox"/> <input type="checkbox"/> <input type="checkbox"/> <input type="checkbox"/> <input type="checkbox"/> <input type="checkbox"/> <input type="checkbox"/> <input type="checkbox"/> <input type="checkbox"/> <input type="checkbox"/> <input type="checkbox"/> <input type="checkbox"/> <input type="checkbox"/>	
<p>Electrode only <b>A</b></p> <p>Compact <b>B</b></p> <p>Compact + carbon-steel Spacer-cooling-fins <b>D</b></p> <p>Separate version <b>H</b></p> <p>Special <b>Z</b></p> <p>Without insert preamplifier <b>A</b></p> <p>Electrode + Insert <b>B</b></p> <p>Compact + AISI316 Spacer-cooling-fins <b>D</b></p> <p>DIN B aluminium electrode head 1.5 mt coaxable <b>H</b></p> <p>IP65 insert head <b>Z</b></p>		<p><b>0 0</b> Insert = none</p> <p><b>3 3</b> Insert = TL31R 24Vdc</p> <p><b>3 4</b> Insert = TL31R 24Vac</p> <p><b>3 5</b> Insert = TL31R 115 Vac</p> <p><b>3 6</b> Insert = TI31R 230 Vac</p> <p><b>7 3</b> Insert = TC7 3R 24Vdc</p> <p><b>3 0</b> Insert = TC30</p> <p><b>9 9</b> Special</p>	
<p><b>IP65 HEAD CONNECTION</b> Code: CLS4 <input type="checkbox"/> <input type="checkbox"/> <input type="checkbox"/> <input type="checkbox"/> <input type="checkbox"/> <input type="checkbox"/> <input type="checkbox"/> <input type="checkbox"/> <input type="checkbox"/> <input type="checkbox"/> <input type="checkbox"/> <input type="checkbox"/> <input type="checkbox"/> <input type="checkbox"/> <input type="checkbox"/> <input type="checkbox"/></p> <p>PG13,5 <b>B</b></p> <p>PG13,5 <b>C</b></p> <p>PG13,5 <b>D*</b></p> <p>PG13,5 <b>E*</b></p> <p>Special <b>Z</b></p> <p>PC polycarbonate loaded <b>B</b></p> <p>Diecast aluminium varnished <b>C</b></p> <p>Double cover PBT <b>D*</b></p> <p>Double cover PBT (with 1 transparent cover) <b>E*</b></p>			

PROCESS CONNECTION Code: CLS4 <input type="checkbox"/> <input type="checkbox"/> <input type="checkbox"/> <input type="checkbox"/> <input type="checkbox"/> <input type="checkbox"/> <input type="checkbox"/> <input type="checkbox"/> <input type="checkbox"/> <input type="checkbox"/> <input type="checkbox"/> <input type="checkbox"/> <input type="checkbox"/> <input type="checkbox"/> <input type="checkbox"/> <input type="checkbox"/>																																																																																																																																						
THREADED	FLANGED	SANITARY FITTING																																																																																																																																				
<p>SW 50</p> <p>1" NPT</p> <p>G 1"</p> <p>23</p> <p>20</p> <p><b>0 1</b> G 1" Carbon Steel</p> <p><b>0 2</b> G 1" AISI316</p> <p><b>0 3</b> 1" NPT Carb. Steel</p> <p><b>0 4</b> 1" NPT AISI316</p>	<p><b>UNI 6091-67 PN6</b></p> <table border="1"> <tr><th>DN</th><th>D</th><th>b</th><th>a</th><th>f</th><th>Holes</th></tr> <tr><td>40</td><td>130</td><td>14</td><td>100</td><td>14</td><td>4</td></tr> <tr><td>50</td><td>140</td><td>14</td><td>110</td><td>14</td><td>4</td></tr> <tr><td>80</td><td>190</td><td>16</td><td>150</td><td>18</td><td>4</td></tr> <tr><td>100</td><td>210</td><td>16</td><td>170</td><td>18</td><td>4</td></tr> </table> <p><b>UNI 6093-67 PN16</b></p> <table border="1"> <tr><th>DN</th><th>D</th><th>b</th><th>a</th><th>f</th><th>Holes</th></tr> <tr><td>40</td><td>150</td><td>16</td><td>110</td><td>18</td><td>4</td></tr> </table> <p><b>DIN 2527 Form B PN16</b></p> <table border="1"> <tr><th>DN</th><th>D</th><th>b</th><th>k</th><th>d2</th><th>Holes</th></tr> <tr><td>50</td><td>165</td><td>18</td><td>125</td><td>18</td><td>4</td></tr> <tr><td>80</td><td>200</td><td>18</td><td>160</td><td>18</td><td>8</td></tr> <tr><td>100</td><td>220</td><td>18</td><td>180</td><td>18</td><td>8</td></tr> </table> <p><b>RF ANSI B16.5 150 psi</b></p> <table border="1"> <tr><th>DN</th><th>D</th><th>b</th><th>g</th><th>k</th><th>l</th><th>Holes</th></tr> <tr><td>2"</td><td>152.4</td><td>19</td><td>92.1</td><td>120.6</td><td>19</td><td>4</td></tr> <tr><td>3"</td><td>190.5</td><td>23.8</td><td>127</td><td>152.4</td><td>19</td><td>4</td></tr> <tr><td>4"</td><td>228.6</td><td>23.8</td><td>157.2</td><td>190.5</td><td>19</td><td>8</td></tr> </table>	DN	D	b	a	f	Holes	40	130	14	100	14	4	50	140	14	110	14	4	80	190	16	150	18	4	100	210	16	170	18	4	DN	D	b	a	f	Holes	40	150	16	110	18	4	DN	D	b	k	d2	Holes	50	165	18	125	18	4	80	200	18	160	18	8	100	220	18	180	18	8	DN	D	b	g	k	l	Holes	2"	152.4	19	92.1	120.6	19	4	3"	190.5	23.8	127	152.4	19	4	4"	228.6	23.8	157.2	190.5	19	8	<p><b>CLAMP "3A" CONFORM</b></p> <table border="1"> <tr><th>DN</th><th>A</th><th>E</th></tr> <tr><td>25 (1")</td><td>50.5</td><td>49</td></tr> <tr><td>38 (1 1/2")</td><td>50.5</td><td>49</td></tr> <tr><td>51 (2")</td><td>64</td><td>49</td></tr> </table> <p><b>ACCESSORIES extra -code</b></p> <p>SEAL RING</p> <p>PIPE FOR CLAMP</p> <p>WING-NUT</p> <p><b>DIN 11851</b></p> <table border="1"> <tr><td><b>2 0</b></td><td>NW25 AISI304L</td></tr> <tr><td><b>2 1</b></td><td>NW40 AISI304L</td></tr> <tr><td><b>2 2</b></td><td>NW50 AISI304L</td></tr> </table> <table border="1"> <tr><th>NW</th><th>B</th><th>C</th><th>A</th><th>E</th></tr> <tr><td>25</td><td>21</td><td>52-6</td><td>44</td><td>35</td></tr> <tr><td>40</td><td>21</td><td>65-6</td><td>56</td><td>35</td></tr> <tr><td>50</td><td>22</td><td>78-6</td><td>68</td><td>35</td></tr> </table>	DN	A	E	25 (1")	50.5	49	38 (1 1/2")	50.5	49	51 (2")	64	49	<b>2 0</b>	NW25 AISI304L	<b>2 1</b>	NW40 AISI304L	<b>2 2</b>	NW50 AISI304L	NW	B	C	A	E	25	21	52-6	44	35	40	21	65-6	56	35	50	22	78-6	68	35
DN	D	b	a	f	Holes																																																																																																																																	
40	130	14	100	14	4																																																																																																																																	
50	140	14	110	14	4																																																																																																																																	
80	190	16	150	18	4																																																																																																																																	
100	210	16	170	18	4																																																																																																																																	
DN	D	b	a	f	Holes																																																																																																																																	
40	150	16	110	18	4																																																																																																																																	
DN	D	b	k	d2	Holes																																																																																																																																	
50	165	18	125	18	4																																																																																																																																	
80	200	18	160	18	8																																																																																																																																	
100	220	18	180	18	8																																																																																																																																	
DN	D	b	g	k	l	Holes																																																																																																																																
2"	152.4	19	92.1	120.6	19	4																																																																																																																																
3"	190.5	23.8	127	152.4	19	4																																																																																																																																
4"	228.6	23.8	157.2	190.5	19	8																																																																																																																																
DN	A	E																																																																																																																																				
25 (1")	50.5	49																																																																																																																																				
38 (1 1/2")	50.5	49																																																																																																																																				
51 (2")	64	49																																																																																																																																				
<b>2 0</b>	NW25 AISI304L																																																																																																																																					
<b>2 1</b>	NW40 AISI304L																																																																																																																																					
<b>2 2</b>	NW50 AISI304L																																																																																																																																					
NW	B	C	A	E																																																																																																																																		
25	21	52-6	44	35																																																																																																																																		
40	21	65-6	56	35																																																																																																																																		
50	22	78-6	68	35																																																																																																																																		
<p>SW 60</p> <p>G 1 1/2"</p> <p>23</p> <p>40</p> <p><b>1 1</b> G 1 1/2" Carbon Steel</p> <p><b>1 2</b> G 1 1/2" AISI316</p> <p><b>1 8</b> G 1 1/2" PVC</p> <p><b>1 9</b> G 1 1/2" PTFE</p>	<p><b>6 0</b> 2" AISI316</p> <p><b>6 1</b> 3" AISI316</p> <p><b>6 2</b> 4" AISI316</p>																																																																																																																																					
<p><b>SPECIAL</b></p> <p><b>9 9</b> Special</p>																																																																																																																																						




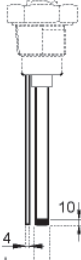
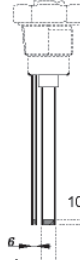
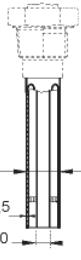




\* D and E IP65 head connection types only with TC22+30 insert preamplifier types

# CLS4

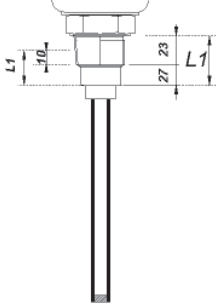
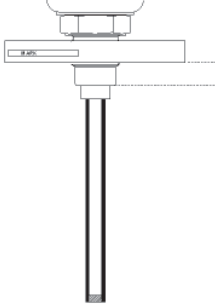
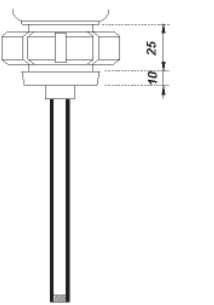
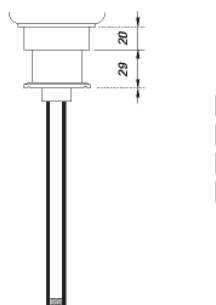
## ELECTRODE TYPE AND INSULATION

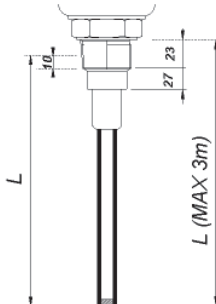
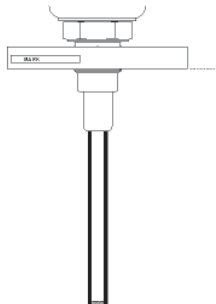
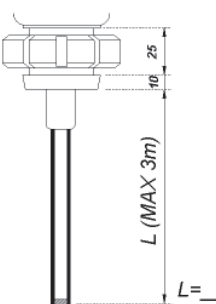
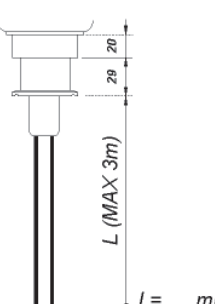
Code: **CLS4**

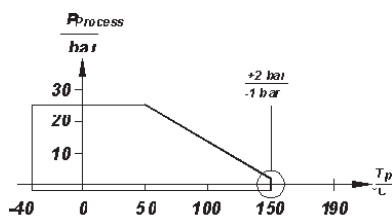
<p>AISI 316 rod</p>  <p>10</p>	<p>PVC partially insulated</p> <p><b>C 4 1</b></p>	<p>PVC totally insulated</p> <p><b>D 4 2</b></p>	<p>PVC totally insulated + AISI 316 rod reference rod</p> <p><b>E 4 3</b></p>	<p>PVC totally insulated + PVC totally insulated reference rod</p> <p><b>F 4 4</b></p>	<p>AISI 316 rod + Carbon-steel concentric reference electrode</p> <p><b>M 5 0</b></p>	<p>PVC insulated rod + Carbon-steel concentric reference electrode</p> <p><b>N 5 1</b></p>	<p>PVC insulated rod + AISI 316 concentric reference electrode</p> <p><b>R 5 4</b></p>
	<p>PTFE partially insulated</p> <p><b>G 4 5</b></p>  <p>d</p> <p>10</p>	<p>PTFE totally insulated</p> <p><b>H 4 6</b></p>  <p>d</p> <p>10</p>	<p>PTFE totally insulated + AISI 316 reference rod</p> <p><b>I 4 7</b></p>  <p>4</p> <p>d</p> <p>10</p>	<p>PTFE totally insulated + PTFE totally insulated reference rod</p> <p><b>L 4 8</b></p>  <p>a</p> <p>d</p> <p>10</p>	<p>AISI 316 rod + AISI 316 concentric reference electrode</p> <p><b>Q 5 3</b></p>  <p>1,5</p> <p>10</p> <p>D</p>	<p>PTFE insulated rod + Carbon-steel concentric reference electrode</p> <p><b>P 5 2</b></p>  <p>1,5</p> <p>12</p> <p>D</p>	<p>PTFE insulated rod + AISI 316 concentric reference electrode</p> <p><b>S 5 5</b></p>  <p>1,5</p> <p>10</p> <p>D</p>
<p>Special</p> <p><b>Z 9 9</b></p> <p>d=12.4 ±0.2 PTFE d=14.0 ±0.2 PVC</p>							
						<p>D=34mm - 1½" thread D=22mm - 1" thread</p>	<p>D=34mm - 1½" thread D=22mm - 1" thread</p>

## L1 - NON SENSITIVE PART

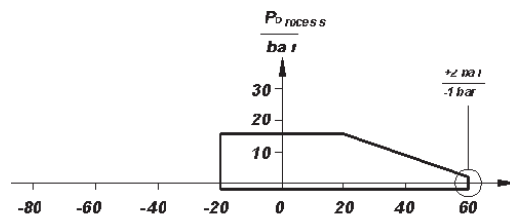
Code: **CLS4**

 <p>L1</p> <p>10</p> <p>23</p> <p>27</p> <p>L1</p>	 <p>L1</p>	 <p>10</p> <p>25</p>	 <p>20</p>	<p><b>A</b> Standard L1=50mm  <b>B</b> Carb. Steel L1=____  <b>C</b> AISI316 L1=____  <b>Z</b> Special</p>
---	--	--	---	--

 <p>L</p> <p>10</p> <p>23</p> <p>27</p> <p>L (MAX 3m)</p> <p>L=____mm</p>	 <p>L (MAX 3m)</p> <p>L=____mm</p>	 <p>L (MAX 3m)</p> <p>L=____mm</p>	 <p>L (MAX 3m)</p> <p>L=____mm</p>
--	---	--	---



PTFE Insulated



PVC Insulated

CONSITEC  SGM-LEKTRA



CERT. N. 2032308

**SGM LEKTRA s.r.l.**

Via Papa Giovanni XXIII, 49  
20090 Rodano (Milano)  
tel. ++39 0295328257 r.a.  
fax ++39 0295328321

e-mail: [info@sgm-lektra.com](mailto:info@sgm-lektra.com)  
web: [www.sgm-lektra.com](http://www.sgm-lektra.com)