

# FLOWMETER

- Compact system suitable to be installed upstream from hydraulic modelers (weirs, venturi, palmer bowlus)
- Excellent price-performance ratio
- Instantaneous and totalized flow measurement
- N. 2 freely programmable relays
- MODBUS communication protocol
- IP67
- Sensor material PP



Flowmeter is an ultrasonic flow transmitter, temperature-compensated and suitable for connection with MODBUS RTU acquisition systems. FLOWMETER in addition to an analog output includes two freely addressable relay for flow threshold or for totalizer pulse output.

## TECHNICAL FEATURES

### Housing/sensor material

PC or AI / PP wetted part (only PVDF for ATEX certified vers.)

### Mechanical installation

2" GAS M (PP flange DN80 opt.)

### Protection degree

IP67/IP68 (Sensor)

### Electrical connection

Internal push connectors

### Working temperature

-30 ÷ +70°C; +80°C non-continuous

### Pressure

from 0,5 to 1,5 bar (absolute)

### Power supply

12Vdc / 24Vdc

### Power consumption

1,5W

### Analog output

4...20mA, max 750ohm (4-wires versions)

### Relays output

n°2 3A 230Vac (n.o.)

### Digital communication

MUDBUS

### Max measure range

max 0.25 ÷ m

In case of non perfectly reflecting surfaces, the maximum distance value will be reduced

### Blind distance

0,25m

### Temperature compensation

digital from -30 to 80°C

### Accuracy

±0,2% (of the measured distance) not better than ±3mm.

### Resolution

1mm.

### Calibration

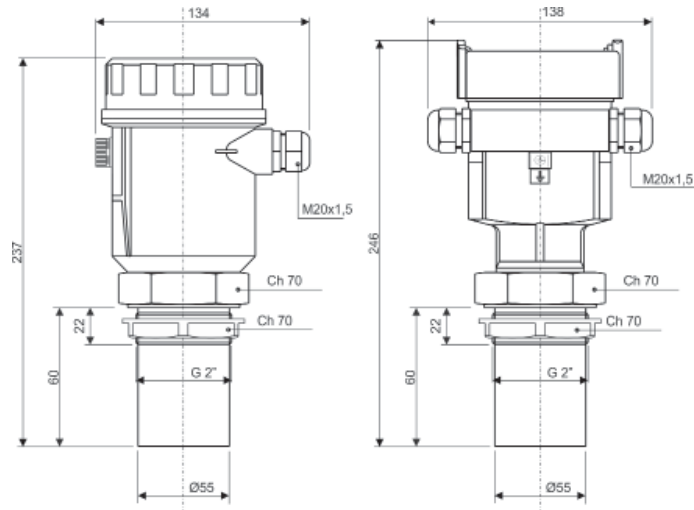
4 buttons or via MODBUS

### Warm-up

5 minutes typical

### LCD Display

Plug-in display/keyboard 4 buttons matrix LCD



## FLOWMETER Ultrasonic open channel flow control unit

Compact - Suitable for upstream installation in weir, Venturi, Palmer Bowlus (standard and non-standard)  
 G 2" A / PP threaded connection + nr. 1 2" BSP/PP fixing bolt  
 4+20mA output with instantaneous flow transmission  
 Relay nr. 1 for impulses/volume transmission  
 Relay nr. 2 for threshold alarm or diagnostic  
 MODBUS RTU output. Housing with anticondensation filter  
 Temperature range : -20° ÷ +60°C

Version	
0	4-wire, MODBUS, range 5m
9	Special
Housing / Sensor materials	
F	PC with transparent cap, IP67 / PP
U	Aluminum with transparent cap, IP67 / PP
Z	Special
Power supply	
4	24Vdc (20+30Vdc)
5	12Vdc (max 20Vdc)
9	Special
Accessories	
A	None
C	DN80 PN6 UNI 6091-71/PP flange (600J001T)
D	VL601 keyboard/display programming module (VL601SGM)
S	MODBUS RTU communication software (010F119A)
Z	Special