



## RKMAG Electromagnetic flowmeter

Specific for installations with “0 diameters” near curves, fittings etc ...

Dn 40 ÷ 800 mm

Accuracy: ± 0.5%

Power supply 85 ÷ 265 Vac o 12; 24 Vac/Vdc

Remote control via Smartphone

SGM LEKTRA presents a new type of electromagnetic flowmeter with plastic sensors: RKMAG. Because of its particular inner shape the mounting of the unit requires no straight pipe lengths before and after the meter. The converter is equipped with a large, bright, removable O-LED display and can mount a pen-drive USB data logger. The configurable outputs can be analogic, pulse and MODBUS RTU and alarm messages are managed by 2 configurable relays. RKMAG is suitable for the use with a wide range of conductive liquids, even chemically aggressive: the electrodes material can be selected according to the chemical properties of the fluid.

### Technical Feature

#### Flow rate range

Bidirectional on fluids with speeds up to 10m / s

#### Range dimension / lining material

neoprene DN40 ÷ DN800

#### Sensor pipe material

SS321

#### Housing material

epoxy painted aluminium

#### Electrodes material

SS316L - Hastelloy C

#### Measure range

<1m<sup>3</sup>/h ÷ >9048m<sup>3</sup>/h

#### Accuracy

±0,5% standard; ±0,2% optional

#### Repeatability

±0,1%

#### Fluid conductivity

>5µS/cm.

#### Power supply

85÷265Vac, 24Vac/dc, 12Vdc.

#### Consumption

6W, max. 8W.

#### Communication protocol

Modbus; Bluetooth App Android (opt.)

#### Operating temperature Limits

Remote version

RUBBER -10 ÷ +80°C

Compact version

RUBBER -10 ÷ +80°C

Storage temperature: -40÷85°C

#### Data Logger

Internal data logger to USB pen drive

#### Output

4 ÷ 20mA; Frequency; Impulsive; 2 relays

#### Input signals

2 active analog inputs

1 digital input.

#### Reverse Flow

Allows measure and totalization of reverse flow.

#### Low Flow Cutoff

Adjustable. Below selected value, instantaneous flow and outputs are driven to the zero flow rate signal level.

#### Humidity Limits

0-100% RH to 150 °F (65 °C), not condensing.

#### Damping

Adjustable between 1 and 99 seconds.

#### Compact version IP rating

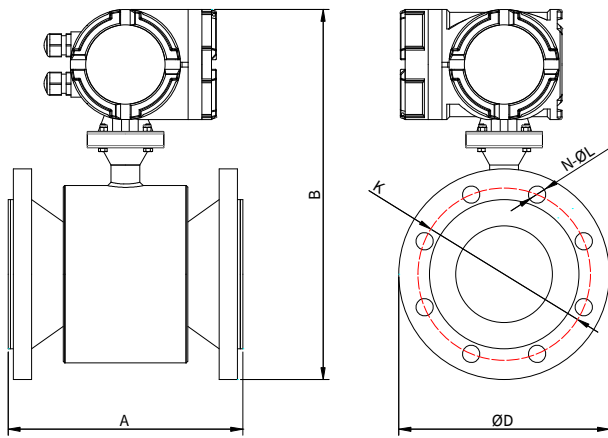
IP67

#### Remote version IP rating

sensor IP67 / IP68 (by request) - converter IP67

#### Anti-condensation filter

Anti-condensation filter installed on converter



Rkmag

Electromagnetic flowmeter

DN (mm)	A (mm)	B (mm)	ØD (mm)	ØK (mm)	N-ØL (mm)	Pressure
50	200	340	165	125	4-Ø18	1.6MPa
65	200	345	185	145	4-Ø18	1.6MPa
80	200	360	200	160	8-Ø18	1.6MPa
100	250	385	220	180	8-Ø18	1.6MPa
125	250	400	250	210	8-Ø18	1.6MPa
150	300	430	285	240	8-Ø22	1.6MPa
200	350	470	340	295	12-Ø22	1.6MPa
250	450	535	405	355	12-Ø26	1.6MPa
300	500	600	445	400	12-Ø22	1.0MPa

Installation with zero diameters upstream/downstream.  
 For conductive fluids.  
 With sensor body and flanges in carbon steel.  
 Medium ambient temperature range: -20° + 60°C  
 IP67 electronic housing with anticondensation filter  
 2 alarm relays (min/max)

Version	
<b>B</b>	Remote - acc. 0,2% - std cable length 5m - Data logger - n.2 4÷20mA input
<b>C</b>	Remote - acc. 0,5% - std cable length 5m - Data logger - n.2 4÷20mA input
<b>L</b>	Compact - acc. 0,2% - Data logger - n.2 4÷20mA input
<b>N</b>	Compact - acc. 0,5% - Data logger - n.2 4÷20mA input
DN flange / Max. pressure / Lining (temp.of the fluid)	
<b>0040E1</b>	DN40 / 1.6MPa / Rubber (-10° ÷ +80°C); range 0,91 ÷ 22m3/h; standard UNI 1092-1
<b>0050E1</b>	DN50 / 1.6MPa / Rubber (-10° ÷ +80°C); range 1,5 ÷ 35m3/h; standard UNI 1092-1
<b>0065E1</b>	DN65 / 1.6MPa / Rubber (-10° ÷ +80°C); range 2,4 ÷ 59m3/h; standard UNI 1092-1
<b>0080E1</b>	DN80 / 1.6MPa / Rubber (-10° ÷ +80°C); range 3,7 ÷ 92m3/h; standard UNI 1092-1
<b>0100E1</b>	DN100 / 1.6MPa / Rubber (-10° ÷ +80°C); range 6 ÷ 141m3/h; standard UNI 1092-1
<b>0125E1</b>	DN125 / 1.6MPa / Rubber (-10° ÷ +80°C); range 9 ÷ 220m3/h; standard UNI 1092-1
<b>0150E1</b>	DN150 / 1.6MPa / Rubber (-10° ÷ +80°C); range 13 ÷ 318m3/h; standard UNI 1092-1
<b>0200E1</b>	DN200 / 1.6MPa / Rubber (-10° ÷ +80°C); range 23 ÷ 565m3/h; standard UNI 1092-1
<b>0250E1</b>	DN250 / 1.6MPa / Rubber (-10° ÷ +80°C); range 35 ÷ 833m3/h; standard UNI 1092-1
<b>0300C1</b>	DN300 / 1.0MPa / Rubber (-10° ÷ +80°C); range 51 ÷ 1272m3/h; standard UNI 1092-1
<b>0300E1</b>	DN300 / 1.6MPa / Rubber (-10° ÷ +80°C); range 51 ÷ 1272m3/h; standard UNI 1092-1
<b>0350C1</b>	DN350 / 1.0MPa / Rubber (-10° ÷ +80°C); range 70 ÷ 1731m3/h; standard UNI 1092-1
<b>0350E1</b>	DN350 / 1.6MPa / Rubber (-10° ÷ +80°C); range 70 ÷ 1731m3/h; standard UNI 1092-1
<b>0400C1</b>	DN400 / 1.0MPa / Rubber (-10° ÷ +80°C); range 90 ÷ 2262m3/h; standard UNI 1092-1
<b>0400E1</b>	DN400 / 1.6MPa / Rubber (-10° ÷ +80°C); range 90 ÷ 2262m3/h; standard UNI 1092-1
<b>0450C1</b>	DN450 / 1.0MPa / Rubber (-10° ÷ +80°C); range 114 ÷ 2863m3/h; standard UNI 1092-1
<b>0450E1</b>	DN450 / 1.6MPa / Rubber (-10° ÷ +80°C); range 114 ÷ 2863m3/h; standard UNI 1092-1
<b>0500C1</b>	DN500 / 1.0MPa / Rubber (-10° ÷ +80°C); range 141 ÷ 3534m3/h; standard UNI 1092-1
<b>0500E1</b>	DN500 / 1.6MPa / Rubber (-10° ÷ +80°C); range 141 ÷ 3534m3/h; standard UNI 1092-1
<b>0600C1</b>	DN600 / 1.0MPa / Rubber (-10° ÷ +80°C); range 203 ÷ 5089m3/h; standard UNI 1092-1
<b>0600E1</b>	DN600 / 1.6MPa / Rubber (-10° ÷ +80°C); range 203 ÷ 5089m3/h; standard UNI 1092-1
<b>0700C1</b>	DN700 / 1.0MPa / Rubber (-10° ÷ +80°C); range 277 ÷ 6927m3/h; standard UNI 1092-1
<b>0700E1</b>	DN700 / 1.6MPa / Rubber (-10° ÷ +80°C); range 277 ÷ 6927m3/h; standard UNI 1092-1
<b>0800C1</b>	DN800 / 1.0MPa / Rubber (-10° ÷ +80°C); range 362 ÷ 9048m3/h; standard UNI 1092-1
<b>0800E1</b>	DN800 / 1.6MPa / Rubber (-10° ÷ +80°C); range 362 ÷ 9048m3/h; standard UNI 1092-1
Process connection	
<b>B</b>	DIN (UNI 1092-1) flanges
<b>D</b>	ANSI flanges (price on request)
<b>Z</b>	Special
Electrodes material	
<b>1</b>	SS316L Stainless steel
<b>3</b>	Hastelloy C276
Power supply	
<b>A</b>	85÷265Vac
<b>B</b>	24Vdc / 24Vac
<b>D</b>	12Vdc
Accessories	
<b>3</b>	3rd electrode for grounding
Output	
<b>B</b>	4÷20mA with galvanic separation + pulse + MODBUS RTU + BLUETOOTH
<b>E</b>	4÷20mA with galvanic separation + pulse + MODBUS RTU
Pipe protection degree	
<b>1</b>	IP67
<b>2</b>	IP68 - only for remote version