

# CIT 200

## Process Display



### Functional range

- ▶ free scalable display
- ▶ 4 characteristic curve functions selectable (linear, root, square function or max. 20 free selectable supporting points)
- ▶ display brightness and filter adjustable
- ▶ programming via infrared remote control IR 1 (optional)

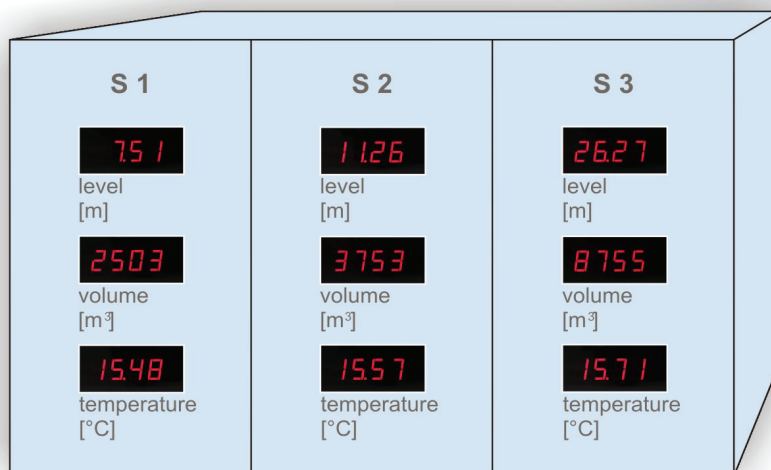
### Product characteristics

- ▶ input signal: 0/4 ... 20 mA, 0/1 ... 5 V, 0/2 ... 10 V
- ▶ 4-digit LED display
- ▶ communication interface RS-485 (Modbus RTU)
- ▶ front panel housing 72 x 36 mm

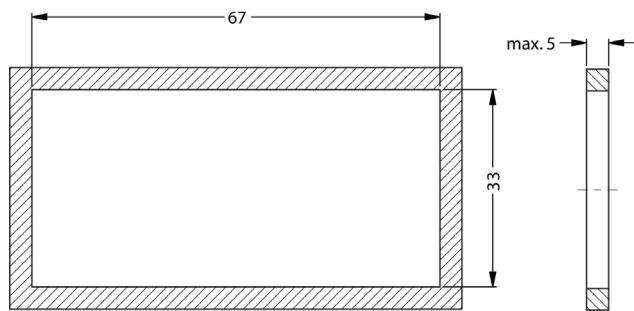
### Optional versions

- ▶ input signal PT100 / PT500 / PT1000

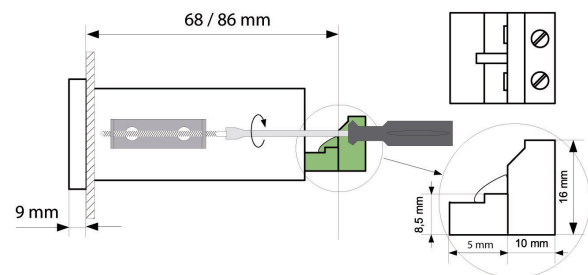
### Typical application: display panel for silo battery



<b>Supply</b>		
Supply voltage	standard: 10 ... 30 V <sub>DC</sub>	option: 110V <sub>AC</sub> / 230 V <sub>AC</sub> ± 10 %
Power consumption	24 V <sub>DC</sub> version: max. 1 W	110 V <sub>AC</sub> / 230 V <sub>AC</sub> version: max. 1.5 VA
<b>Signal input</b>		
Input signal	standard: 0/4 ... 20 mA, 0/1 ... 5 V, 0/2 ... 10 V option: PT100 / PT500 / PT1000	
<b>Communication / Performance</b>		
Communication interface	RS-485 (Modbus RTU)	
Transmission speed	1200 - 115200 bit/sec.	
<b>Type of protection</b>		
Display	IP 40 (front side)	
<b>Permissible temperatures</b>		
Operating temperature	0 ... 50 °C	
Storage temperature	-10 ... 70 °C	
<b>Electrical Protection</b>		
Electrical safety	EN 61010-1	
EMC	EN 61326	
<b>Miscellaneous</b>		
Display	4-digit LED display, red, 4 x 13 mm	
Range of indication	- 999 ... 9999 + decimal point / temperature range: -100 ... 600 °C	
Accuracy (25 °C)	± 0.1 % FSO	tolerance band (0 ... 50 °C): max. 0.25 % FSO
Housing dimensions	24 V <sub>DC</sub> version: 72 x 36 x 77 mm 110V <sub>AC</sub> / 230 V <sub>AC</sub> version: 72 x 36 x 95 mm	
Housing	panel	
Housing material	NORYL UL94V-0	
CE-conformity	EMC Directive: 2004/108/WE	
<b>Dimensions (in mm)</b>		



mounting hole dimensions



dimensions of brackets and

<b>Accessories</b>		
Infrared Remote Control IR 1		material number IR1-1

This data sheet contains product specification, properties are not guaranteed. Subject to change without notice.

**Ordering code CIT 200**

**CIT 200** -  -  -  -

Input type				
0/4 ... 20 mA, 0/1 ... 5 V, 0/2 ... 10 V	1			
PT100 , PT500, PT1000	2			
Supply				
10 ... 30 V <sub>DC</sub>	1			
230 V <sub>AC</sub>	2			
110 V <sub>AC</sub>	3			
Display caption				
neutral		1	0	0
customer		9	9	9
				consult
Special version				
standard			0	0
customer			9	9
				consult
Accessories				
infrared remote control IR 1				IR 1-1

This price list contains product specification; properties are not guaranteed. Detailed information about options are defined in the datasheet. Subject to change without notice.

