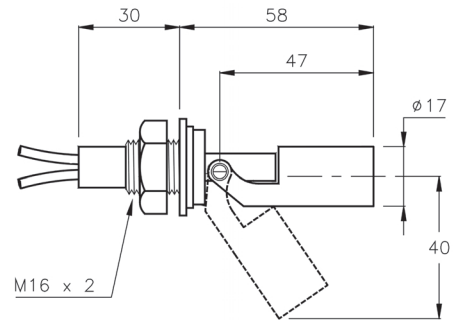
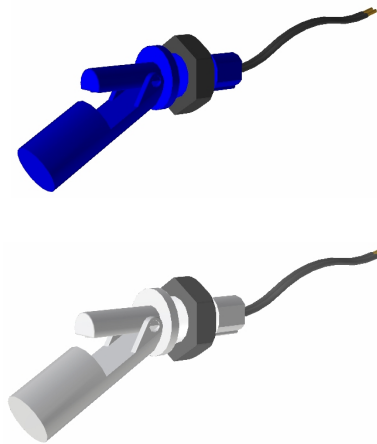


IMN 50 NY H / IMN 50 PP H

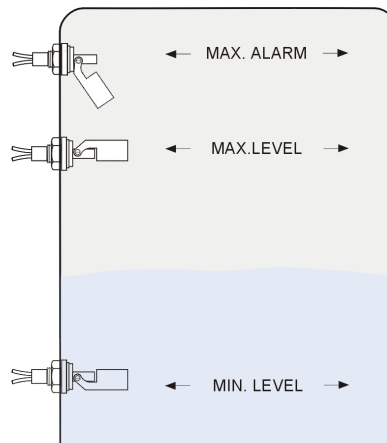


MAGNETIC LEVEL SWITCH



Model	IMN 50 NY H	IMN 50 PP H
Attachment	Nipple M 16 x 2	
Material	Nylon 6.6 (blue)	PP (grey)
Electrical connection	By cable (Lenght 1 meter)	
Type of contact	Reversing the position of float, the contact can be NO or NC.	
Contact rating	50 W/VA (maximum)	
Switching voltage	230 VAC (maximum)	
Switching current	0,5 ACA (maximum) ($\varphi = 1$)	
Isolation resistance	$10^{11} \Omega$	
Temperature	-30°C..+80°C	-30°C..+60°C
Minimum density	0,9 g/cm ³	0,7 g/cm ³
Mounting position	Horizontal	
Protection type	IP65	
Ordering code	IMN 50 NY H	IMN 50 PP H

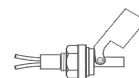
Installation examples



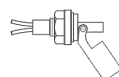
Contacts state



CONTACT
CLOSED



CONTACT
OPEN



CONTACT
OPEN



CONTACT
CLOSED