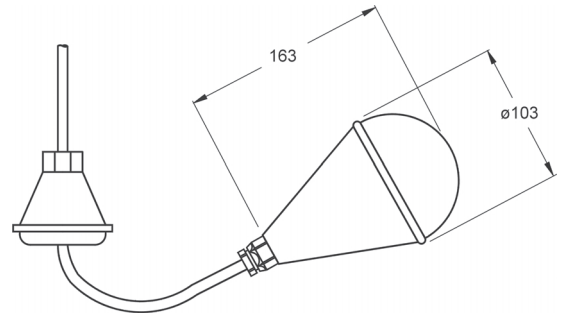
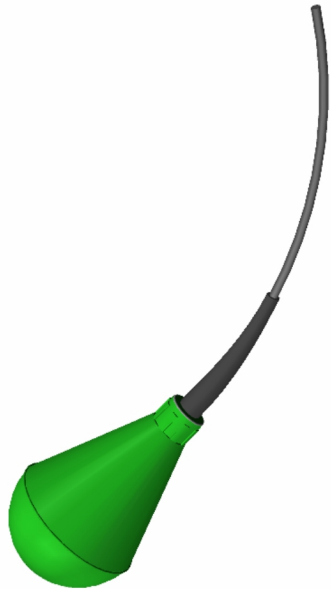


## INMR ECO

### PRESSURE TRANSDUCER FLUSH MOUNTING



Function	Control of one maximum ore one minimum level in liquids.
Application	Ecological, lead and mercury are not used in its construction. Suitable for level controlling in dirty, waste and calcareous waters.
Process connection	By cable
Float material	Polypropylene (PP)
Dimensions	Ø 103 x 163 mm
Electrical connection	PVC cable 3 x 0,75 mm <sup>2</sup>
Cable lenght	6 m (Opcional 10-15-20-30 m)
Contact type	Micro-switch SPDT
Maximum voltage	250 V
Maximum Intensidad	10A / 250VCA
Colour of body	Green
Operating density	0,90..1,10 Kg/cm <sup>3</sup>
Minimum pressure	6 Kg/cm <sup>2</sup>
Operating temperature	max. 60 °C
Protection	IP68 (40 m)

#### Installation examples

