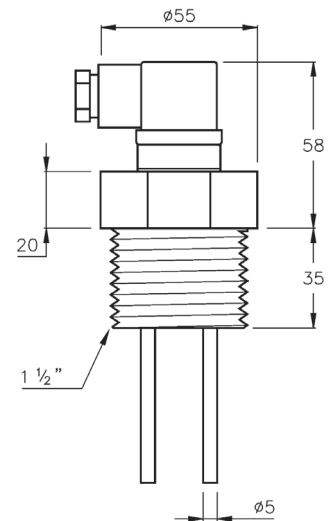
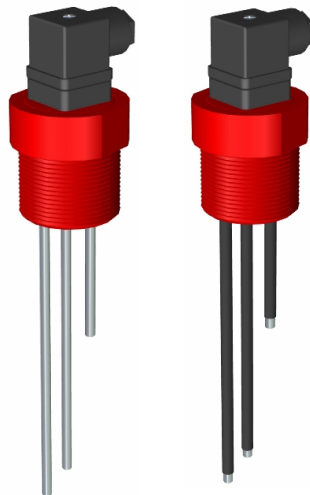


NR 1"½ / NRI 1"½



RESISTIVE PROBES



| | |
|----------------------------|--------------------------------------------------------------------------------------------------------------------------------------------------------------------------------------------------|
| Body material | PVC |
| Colour | Red |
| Electrode | Stainless steel AISI316 Ø 5 mm |
| Length of electrode | Standard, 1000 mm Specials lengths: >30 mm <5000 mm |
| Process connection | Nipple 1"½ G |
| Electric connection | Connector DIN43650 |
| Max. temperature | +70 °C |
| Pressure | 5 K/cm ² |
| Electrodes protection | NR 1"½ 43650 1E: 1 electrode. NR 1"½ 43650 2E: 2 electrodes. NR 1"½ 43650 3E: 3 electrodes. NR 1"½ 43650 4E: 4 electrodes. |
| Reference / Nr. electrodes | Optionally can be supplied with PVC cover protection: NRI 1"½ 43650 1E: 1 electrode. NRI 1"½ 43650 2E: 2 electrodes. NRI 1"½ 43650 3E: 3 electrodes. NRI 1"½ 43650 4E: 4 electrodes. |
| Accessories | Separator electrodes: NR.SEP/P Attachment nuts: NR.TUE1"½/P |