



RPL56
Radar level transmitter

Continuous level measurement without contact for solids, liquids, pastes and slurries

Range 30 m

Process pressure 40 bar

2 / 4 wires technology

Pulse Radar at 26 GHz (K-band)

ATEX

RPL56 is a radar sensor for liquids continuous measurement. Suitable for application in storage and process tanks, also in hard working conditions. Suitable for level measurement in tanks with 1 1/2 "G threaded or flanged connection. The different antenna models and the wide temperature and pressure ranges make the RPL56 radar sensor the optimal solution for nearly all kind of application.

Technical Feature

Frequency

K group (26GHz)

Housing / Antenna material

aluminum; SS316L

Mechanical installation

threaded G 1 1/2; 1" 1/2 NPT

IP rating

IP67/IP68 (Sensor)

Electrical connection

Terminals

Working temperature

-40° ÷ +130°C / -60° ÷ +250°C / -60° ÷ +400°C +400°C

Pressure

-1 a 40 bar; 1 a 400 bar

Power supply

24Vdc; 230Vac

Certification

ATEX

Analog output

4÷20mA

Digital communication

HART

Measure range

30 mt

Accuracy

±3mm

Resolution

1mm.

Calibraton

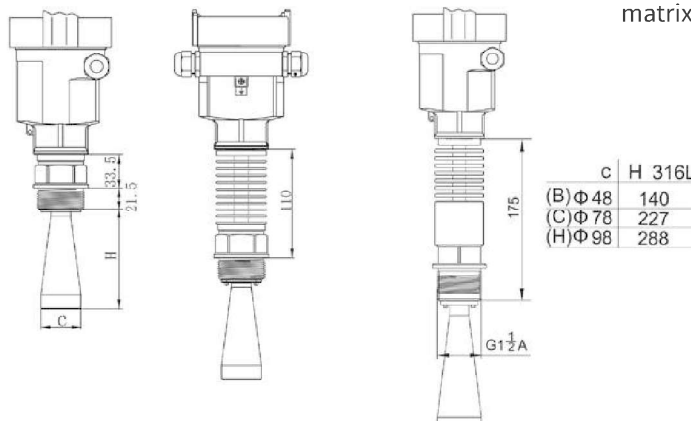
4 buttons or via HART

Warm up

5 minuts

Display

Plug-in display/keyboard 4 buttons matrix LCD





RPL56 Radar level transmitter
 Micro-waves pulse 26GHz group K
 For liquid storage or process applications
 Max distance: 30m
 Accuracy: ±3mm
 Process pressure: -1+40bar

Version	
I	ATEX II 1 G/D Ex ia IIC T6...3 Ga / Ex ia IIIC T76°C...T146°C Da - only with G housing and B electronic
P	Standard
Antenna shape / Material	
B	Horn antenna Ø48mm / SS316L (only applicable for installation with standpipe)
C	Horn antenna Ø78mm / SS316L (only applicable for installation with standpipe)
H	Horn antenna Ø98mm / SS316L
J	Horn antenna Ø123mm / SS316L
Z	Special
Process connection / Material	
GA	Thread 1" ½ NPT / SS316L (-40° ÷ +130°C)
GC	Thread G 1" ½ with cooling fin / SS316L (-60 ÷ +250°C)
GD	Thread G 1" ½ with cooling fin and flange / SS316L (-60 ÷ +400°C); pressure 40MPa
GE	Thread G 1" ½ / SS316L with blowing in connection (-40° ÷ +130°C - inlet pressure 0+5bar)
GP	Thread G 1" ½ / SS316L (-40° ÷ +130°C)
ZZ	Special
Additional flange (DN / Material)	
FA	DN50 / PP
FB	DN50 / PTFE
FC	DN50 / SS316
GA	DN80 / PP
GB	DN80 / PTFE
GC	DN80 / SS316
HA	DN100 / PP
HB	DN100 / PTFE
HC	DN100 / SS316
OO	None
ZZ	Special
Seal / Process temperature	
2	Viton / -40+130°C
3	Kalrez / -60+250°C
4	Graphite / -60+400°C
Electronic preamplifier	
A	None
B	4÷20mA HART (2-wire); 24Vdc - compulsory for ATEX version
C	4÷20mA HART (4-wire); 24Vdc
D	4÷20mA HART (4-wire); 230Vac
Housing / Housing protection / Antenna protection	
D	Aluminum 2 chambers (for 4-wire versions) / IP67 / IP68
G	SS316L / IP67 / IP68 - compulsory for ATEX version
U	Aluminum with transparent cap / IP67 / IP68
Z	Special
Cable entry	
M	M20x1,5
Keyboard/display programming module VL602	
A	Yes
X	No