

# RPL75

radar level transmitter

Compact unit with removable programming display, a module for level measurement (W-band) of liquids. Available in 4-wire version, with 2 programmable relays on different intervention thresholds and Modbus RTU serial communication. Connection to the 2" G threaded process made of PP (moplen) for compatibility with chemically aggressive environments. The measuring range is between 0.5 and 20 meters (on liquids) and is guaranteed only in the case of conductive liquids. The polycarbonate housing is equipped with a transparent cover for an immediate reading of the values.



- **Level measurement without contact for liquids and solids**
- **For liquids (max 20m) and solids (max 10m)**
- **Radar pulses W band**
- **Visualization and configuration on a removable display module**
- **Output 4 ÷ 20mA; 2 configurable relays**
- **Remote control via Smartphone**

## TECHNICAL FEATURES

### Frequency range

W band

### Housing / sensor material

PC / PP

### Mechanical installation

Threaded 2" G; flange in PP optional

### IP rating

IP67

### Electrical connection

Terminals

### Working temperature

-20 ° ÷ + 60 ° C

### Process pressure

max 3 bar

### Supply

24Vdc

### Consumption

max 2W (4 wires)

### Outputs

4 to 20mA

2 relays 3A 230Vac n.a.

### Digital communication

MODBUS RTU (4 wires)

### Maximum measuring range

20 meters (on conductive liquids)

### Block distance

0.05 mt

### Accuracy

± 0.5% not better than ± 2.5mm

### Resolution

5mm.

### Calibration

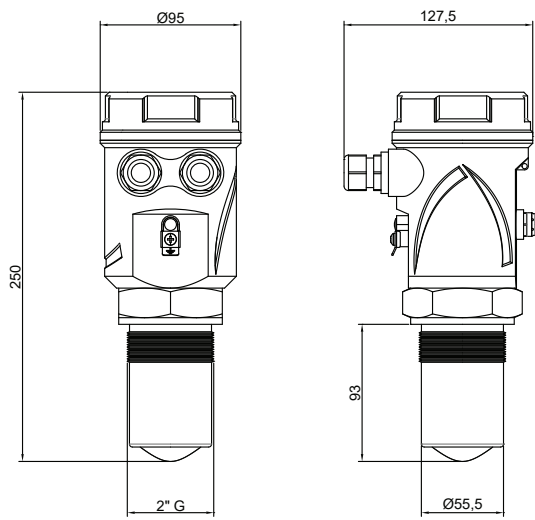
through VL601 module; Modbus (4 files)

### Thermal stabilization

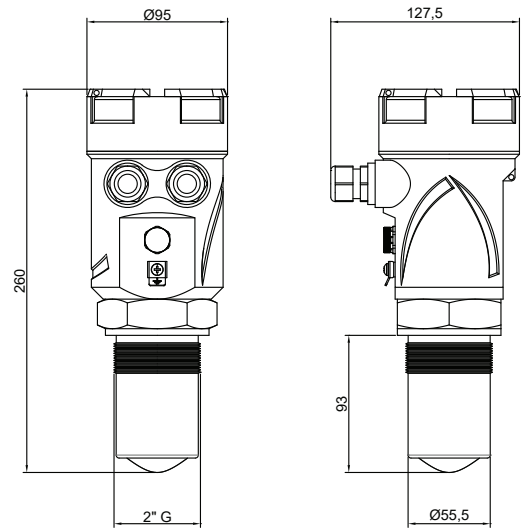
1 minute typical

### Visualization

VL601 extractable programming module (opt.) With 4 keys and matrix LCD



PC Housing



Aluminum Housing

**RPL75**

**Radar level transmitter**

Micro-waves FMCW  
 For liquids (max 20m) and solids (max 10m)  
 4÷20mA output + MODBUS RS485  
 2 relays for alarms or pump control  
 G 2" / PP threaded connection + fixing bolt  
 Setting by keyboard/display removable module (optional)  
 or via BLUETOOTH with Android APP  
 IP67 housing with anti-condensate filter  
 Working temperature: -20° + +60°C

Version	
8	4-wire, range 20m, 2 relays, MODBUS
9	Special
Housing / Sensor materials	
F	PC with transparent cap / PP
L	PC with blind cap / PP
S	Aluminum with transparent cap / PP
Z	Special
Power supply	
4	24Vdc (20+30Vdc)
9	Special
Accessories	
A	None
B	BLUETOOTH
C	DN80 PN6 UNI 1092-1/ PP flange (600J001T)
D	Display/programming module VL601 (VL601SGM)
S	MODBUS communication software (010F105A)
Z	Special